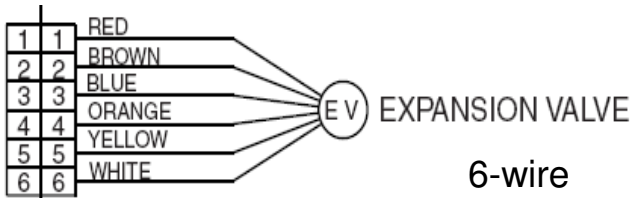


Tech Tips


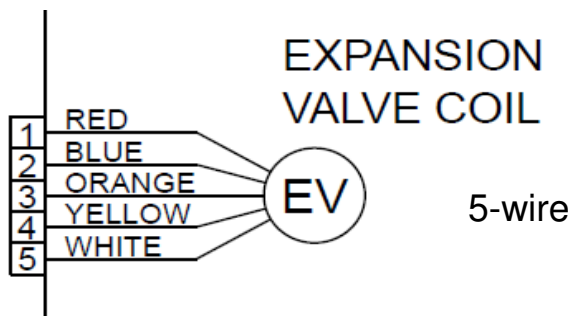


Electronic Expansion Valve Test (EEV)


To ohm out the expansion valve, set your multi-meter to 'ohms' and conduct the tests using the chart.



Read wire	Resistance value
White - Red	$46 \Omega \pm 4 \Omega$ at 68°F(20°C)
Yellow - Brown	
Orange - Red	
Blue - Brown	

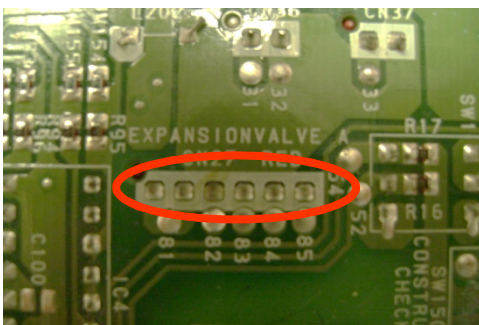



Read wire	Resistance value
White - Red	$46 \Omega \pm 4 \Omega$ at 68°F(20°C)
Yellow - Red	
Orange - Red	
Blue - Red	



Checking for 12 volts DC output from Control Board

Find and use a DC ground on the main control board.



2. Test on all six solder points on the board and verify voltage reads 12-13 volts DC.